

Legend High-Performance DP Rated Products

Our high-performance windows offer innovative design features such as a deep sill stop, reinforced stress points that guard against water and wind damage and special warm-edge characteristics to reduce condensation.

Features and Benefits

- [1]** Engineered, high-endurance cellular PVC materials will not decay, warp, crack, stick or swell
- [2]** UV protectors and impact modifiers incorporated into cellular PVC material enhance durability
- [3]** Finely crafted details, like sloped sill with sill nosing, offer traditional beauty and solid density of real wood
- [4]** Solid cellular PVC construction carries 25-year guarantee
- [5]** Energy efficient double hung balance allows top and bottom sashes to tilt for easy cleaning
- [6]** Easy installation with nails or screws
- [7]** Perfect for new construction or replacement of double hung windows; approved for historic renovation
- [8]** Integral finger pulls in double hung top and bottom sash offer easy opening and closing
- [9]** No-finger pull option in bottom sash for traditional or historical appearance
- [10]** Standard EZ Tilt operation on both the top and bottom sash; both sashes tilt in for easy cleaning; spring balance and compression liner available as a value-priced option
- [11]** Block and tackle balance on standard EZ Tilt is quiet, secure and operates smoothly

Sizes

Available in hundreds of standard and custom sizes

Glazing

- Windsor Glazing System provides 3/4" double pane insulated glass; Cardinal® LoE 366 glass standard; tinted, tempered, obscure and laminated glass available
- Glazed interior stop
- Custom and special glass types available

Grilles

Windsor Divided Lite (WDL) = simulated divided lite

- 3/4" and 1" profiled inner grille
- 13/16" flat inner grille
- 7/8" and 1-1/4" WDL
- 5/8" and 7/8" tall putty WDL
- 5/8" and 7/8" short putty WDL
- 2" CPVC simulated check rail
- Standard and custom grille patterns available

Finishes

- Interior and exterior trim can be painted; for exterior applications, do not use paint with an LRV rating of 54 or lower (See Windsor's Care and Use Guide for details)

Hardware

- Casement crank available in champagne, white, bronze and black; optional finishes in faux bronze, oil rubbed bronze, satin nickel and bright brass
- Double hung lock offered in white only

Exterior Trim

- WM 180 brickmould (*standard*)
- WM 180 brickmould with flange
- Williamsburg
- 3-1/2" flat
- 4-1/2" backband
- 5-1/2" flat
- Plantation
- Double hung sill nose
- 2" bull nose sill nose
- Belly sill nose
- Casement subsill
- 2" casement subsill
- Half round/ellipse sill nose (*radius only*)

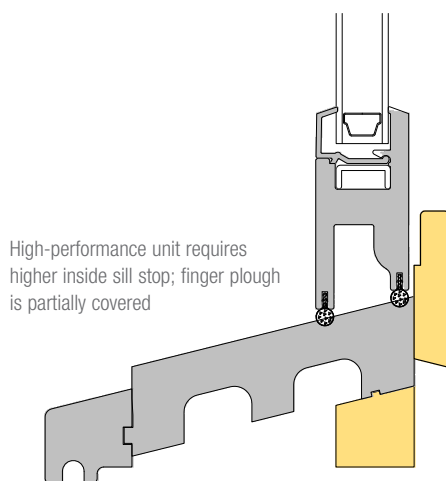
Performance Ratings and Certification

- For current performance ratings, visit our website at windsorwindows.com and click on "Professional Information" in the menu bar
- Performance rated to DP 50 overall; structural rating exceeds DP 50. Florida Building Commission approved; exception Dade-Broward small missile
- Visit floridabuilding.org for more information; including section details and installation

Windsor's High-Performance DP Rated Products

Pinnacle, Legend and Legend HBR:

- Casement and awning
- Casement and awning picture
- Double hung
- Double hung picture



High-performance unit requires higher inside sill stop; finger plough is partially covered