



## Pinnacle Bi-fold Patio Door



Bi-fold doors may vary slightly in appearance and features.

### Features and Benefits

- Multi-point locking system on passage panels features three-point jamb-engaged tongue system for uncompromised security
- Centor Architectural E3 bi-fold hardware system provides stability and smooth operation
- Lever handle activated head and sill twin bolt system for added security
- Wept sill system to eliminate water infiltration
- Dual weatherstrips at panel edge improve air and thermal performance
- Foam-backed glazing bead minimizes paint and stain bleeding
- Stiles constructed of an LVL core material for added strength and stability
- Panel exterior matches Pinnacle product line with consistent depth from glass to face of the panel for a clean, complementary appearance
- Panels available in traditional French or contemporary narrow stile

### Sizes

- Five standard heights: 6'8", 6'10", 8'0", 9'0" and 10'0" (9'0" and 10'0" doors available in French panels only)
- Can be assembled with as few as two panels, and up to eight panels wide
- Custom sizes available

\*1" profile inner grille not available on 10'0" tall doors.

### Glazing

- Windsor Glazing System provides 3/4" double pane insulated glass; Cardinal® LoE 366 glass standard
- Interior stop glazed with silicone sealant
- Custom and special glass types available

### Grilles

*Windsor Divided Lite (WDL) = simulated divided lite*

- 7/8" and 1-1/4" Perimeter Grille (*NOT available on radius doors*)
- 7/8" and 1-1/4" Stick Grille (*Radius swing doors only*)
- 3-4" and 1" Profiled Inner Grille
- 13/16" Flat Inner Grille
- 7/8" and 1-1/4" Ogee WDL
- 5/8", 7/8", 1-1/4" and 2" Short Putty WDL
- 5/8", 7/8", 1-1/4" and 2" Short Contemporary WDL
- 3-3/8" Simulated Mid Rail
- Standard and custom grille patterns available

### Weatherstripping

- Two weatherstrip barriers between each panel and between panels and frame; urethane foam encased in polyethylene film around entire frame; pile weatherstripping along head and sill provide added protection

### Finishes

- Interior – Doors available in Clear Select Pine, Douglas Fir, Natural Alder, primed, painted white or painted black
- Exterior – Heavy-duty extruded aluminum cladding

### Clad Colors

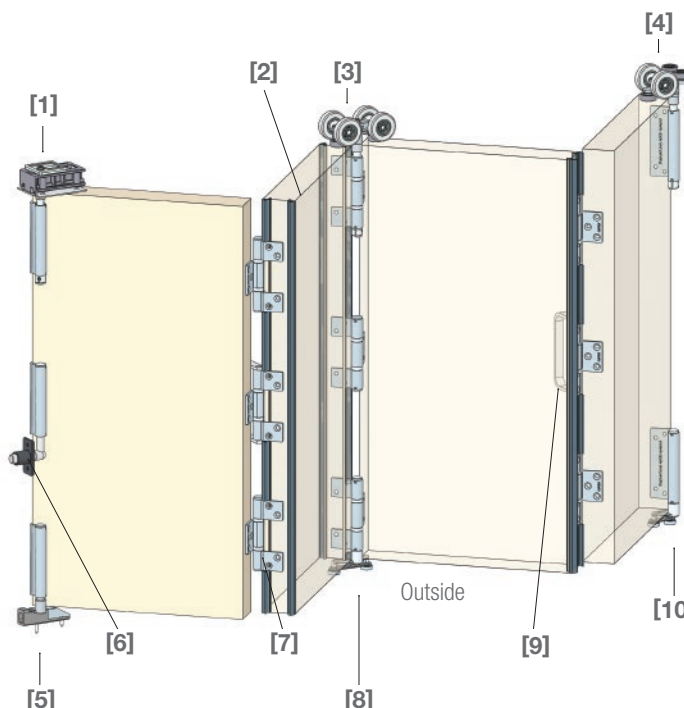
- All clad colors painted in-house with the highly durable AAMA 2604 standard finish, or upgrade to AAMA 2605 for the most challenging of environments
- 23 Standard Clad Colors available in 2604 and 2605 finish
  - 20 Feature Clad Colors available in 2604 and 2605 finish (Custom color matching is also available)
  - 7 Matte Clad Colors available in the 2604 finish only
  - 8 anodized finishes

### Hardware

Classic or contemporary handle available in satin nickel, brass and oil rubbed bronze

### Performance Ratings

For current performance ratings, visit our website at [windsorwindows.com](http://windsorwindows.com) and click on "Professional Information" in the menu bar



### BI-FOLD DOOR TERMINOLOGY

- [1] Top pivot
- [2] Weatherseal
- [3] Intermediate carrier
- [4] End carrier
- [5] Concealed bottom pivot
- [6] Wall pivot
- [7] Hinge
- [8] Concealed intermediate guide
- [9] Hinge with handle
- [10] Concealed end guide