



# Pinnacle Select Triple Insulated Glass Glazing Option

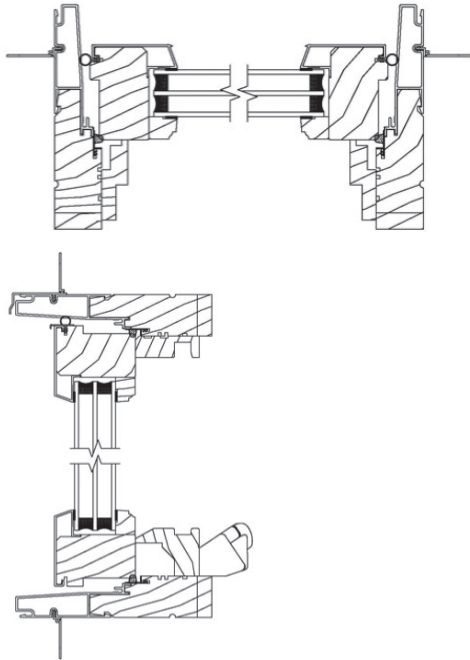
- Select windows are constructed with 2-5/16" wide stiles and rails that add structural stability and provide a more massive architectural appearance
- A robust 2-7/16" thick sash adds dimension and strength and will accommodate a 1-1/4" triple IG unit
- Double mortise and tenon sash joints are fastened with screws for strength and stability
- Each triple IG unit comes standard with Cardinal® LoE 366 glass (surface #2) and LoE 180 (surface #5) for superior thermal performance
- LoE, LoE obscure, LoE reed, LoE rain, LoE glue chip and LoE satin etch glass options are available
- Size limitations on Select windows with triple IG:
  - Casement operating and push-out: up to 3678 frame size
  - Awning: up to 4836 frame size
  - Casement picture: up to 7278 frame size
- Select windows ordered with triple IG are available with the same options and features as standard Select products
- Triple IG is also available in Pinnacle clad direct set and radius products

Product	Glass Type	LoE	Gas Fill	U-Factor	SHGC	VT
Select Casement	1-1/4" Triple	366 / 180	Air	0.26	0.17	0.37
	1-1/4" Triple	366 / 180	Argon	0.24	0.17	0.37
Select Awning	1-1/4" Triple	366 / 180	Air	0.26	0.17	0.37
	1-1/4" Triple	366 / 180	Argon	0.24	0.17	0.37
Select Casement Picture	1-1/4" Triple	366 / 180	Air	0.22	0.20	0.44
	1-1/4" Triple	366 / 180	Argon	0.20	0.19	0.44
Clad Direct Set	1-1/4" Triple	366 / 180	Air	0.22	0.32	0.49
	1-1/4" Triple	366 / 180	Argon	0.19	0.32	0.49
Clad Radius	1-1/4" Triple	366 / 180	Air	0.20	0.33	0.51
	1-1/4" Triple	366 / 180	Argon	0.17	0.33	0.51

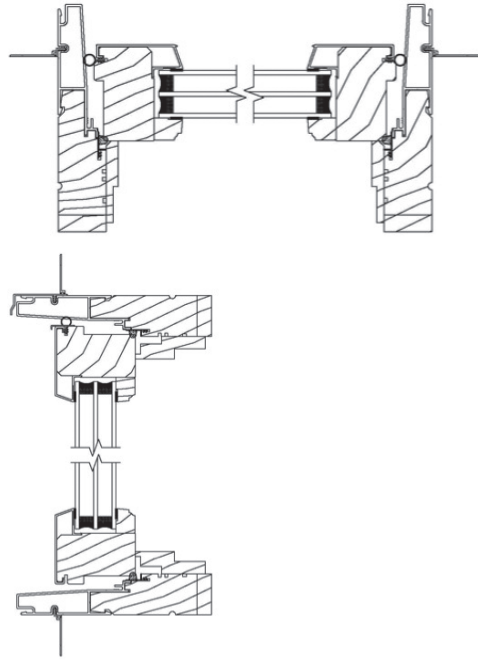




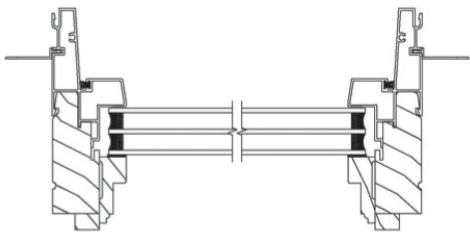
## Crank-out



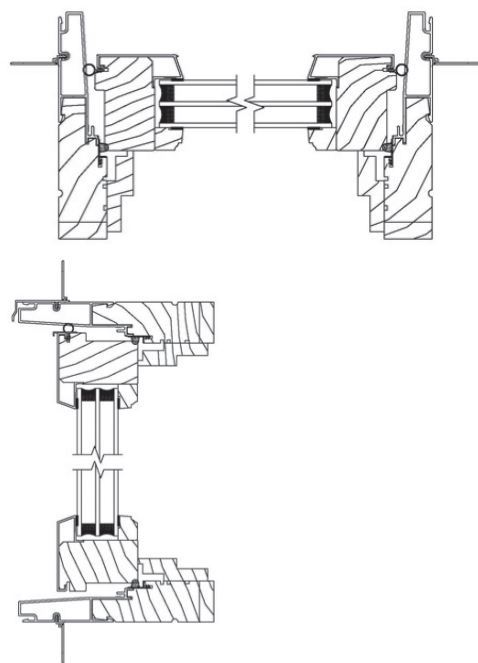
## Push-out



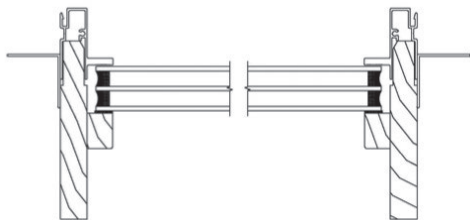
## Direct Set



## Picture

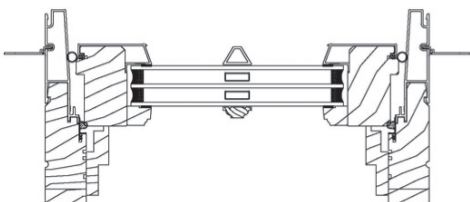


## Radius



## Triple IG Unit with WDL

*WDL inner bar in both air spaces*



## Triple IG Unit with Inner Grille

*Inner grille in exterior air space*

