



WINDSOR  
WINDOWS & DOORS

# Next Dimension Field Mull Procedure



**WARNING**

- **Work Safe!** Always wear proper eye and hearing protection when installing or adjusting Windsor products.
- **Use Power Tools Properly!** To avoid personal injury, always follow manufacturer's instructions for safe operation of power tools.

Materials	Part Number	SAP Part Number
-----------	-------------	-----------------

## Standard ½" Mull Cover - 13ft (Interior & Exterior):

• White	900056	10056510
• Clay	901056	10056513
• Black	900056-BK	10116736
• Bronze	900056-BZ	10116735
• Cinnamon	900056-C	10116733
• Green	900056-G	10116730
• Ivory	900056-I	10116734
• Tan	900056-T	10116732
• Painted White	900056-W	10116731

## Zero Mull Cover – 13ft (Pro Brickmould Exterior Only, Use Standard ½" Mull Cover for Interior):

• White	800029	10054382
• Clay	801029	10054238
• Black	800029-BK	10116712
• Bronze	800029-BZ	10116711
• Cinnamon	800029-C	10116709
• Green	800029-G	10116706
• Ivory	800029-I	10116710
• Tan	800029-T	10116708
• Painted White	800029-W	10116707

## Steel Reinforcement (Pro Brickmould ONLY):

• 48" RO	482040-4	10054607
• 60" RO	482040-5	10054324
• 72" RO	482040-6	10088358

## Steel Reinforcement:

• 60" RO	2370424-5	10054595
• 72" RO	2370424-6	10054654
• 84" RO	2370424-7	10054567
• 96" RO	2370424-8	10088359
• 108" RO	2370424-9	10088360

**2-Sided Tape – 216ft** (Optional, see Step 3 on pg 5) 394100 10055200

**#6x 3/4" Screw** 500005 10055531

## Foam End Plug:

• Pro & Signature	2370422	10054653
• Classic Single Hung	951009	10054651
• Classic Double Hung	951010	10054765

**Drip Cap:**

**Pro (Standard Frame) – 13ft:**

• White	800030	10054787
• Clay	801030	10054582
• Black	800030-BK	10116632
• Bronze	800030-BZ	10116631
• Cinnamon	800030-C	10116629
• Green	800030-G	10116626
• Ivory	800030-I	10116630
• Tan	800030-T	10116628
• Painted White	800030-W	10116627

**Pro (Brickmould Frame) – 13ft:**

• White	800031	10089239
• Clay	801031	10056985
• Black	800031-BK	10116675
• Bronze	800031-BZ	10116674
• Cinnamon	800031-C	10116672
• Green	800031-G	10116669
• Ivory	800031-I	10116673
• Tan	800031-T	10116671
• Painted White	800031-W	10116670

**Signature & Standard Frame Classic DH – 13ft:**

• White	900385	10054583
• Clay	901390	10054561
• Black	900385-BK	10116728
• Bronze	900385-BZ	10116727
• Cinnamon	900385-C	10116725
• Green	900385-G	10116722
• Ivory	900385-I	10116726
• Tan	900385-T	10116724
• Painted White	900385-W	10116723

**Classic (Brickmould Frame SH & DH) – 16ft:**

• White	920027	10054727
• Clay	920062	10054415
• Black	920027-BK	10116611
• Bronze	920027-BZ	10116610
• Cinnamon	920027-C	10116608
• Green	920027-G	10116605
• Ivory	920027-I	10116609
• Tan	920027-T	10116607
• Painted White	920027-W	10116606

**4" Vinyl Tape – 108ft:**

• White	2370462	10054655
• Clear (For Clay & Painted Units)	2370463	10054596

**Silicone – 10.3oz Tube:**

- White - 12 per case 798018W 10128081
- Clay - 12 per case 770029 10154508
- Black - 12 per case 7990014 10134598
- Bronze 7990010 10134596
- Cinnamon 7990016 10134600
- Green 7990015 10134599
- Ivory 7990013 10137343
- Tan 7990012 10134591

**1/2" Backer Rod** (Local Hardware Store, used for 3 & 4-way mulls on page 10)

**Tools Required:**

- Utility Knife
- Rubber Mallet
- Screwdriver
- Caulk Gun
- Chisel
- Chop saw

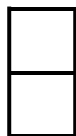
**General Guidelines for Mull reinforcement:**

- Add reinforcement to the shortest mull that spans the entire length of the configuration.
- Add reinforcement to any mull greater than 60" RO.
- See chart below for maximum mullion guidelines.

**Recommended Max Field Mullion Guidelines**

	Max Dimension (ft)	Max Config. Sq. Ft.	Max Indiv. Unit Sq. Ft.
Vertical or Horizontal	9	63	NA
	10	58	NA
	11	53	NA
3 Way	8	56	NA
4 Way	8	56	12
Doors	9	72	NA

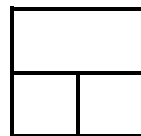
Types of Mullions



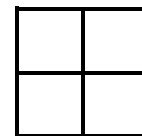
Horizontal



Vertical



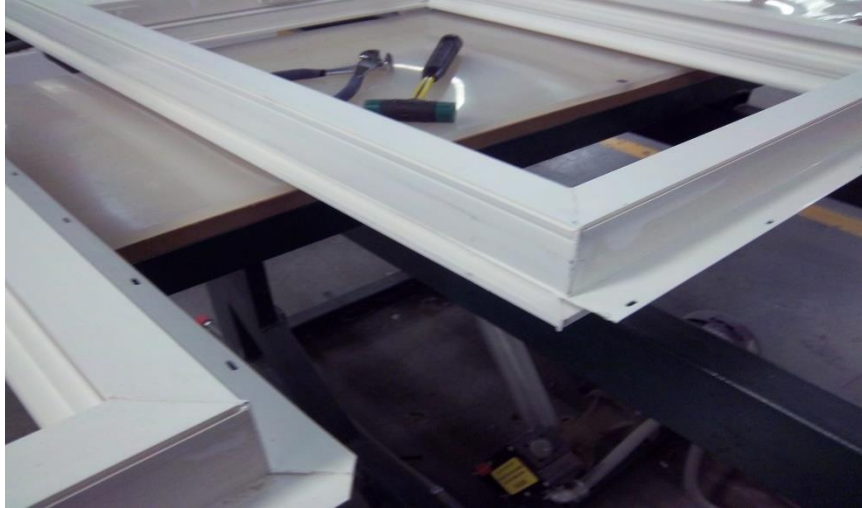
3 - Way



4 - Way

## Field Mull Instructions

- 1) Remove the nail fin on the side to be mullled on both windows using a utility knife. Lay the units side by side with the interior facing up.



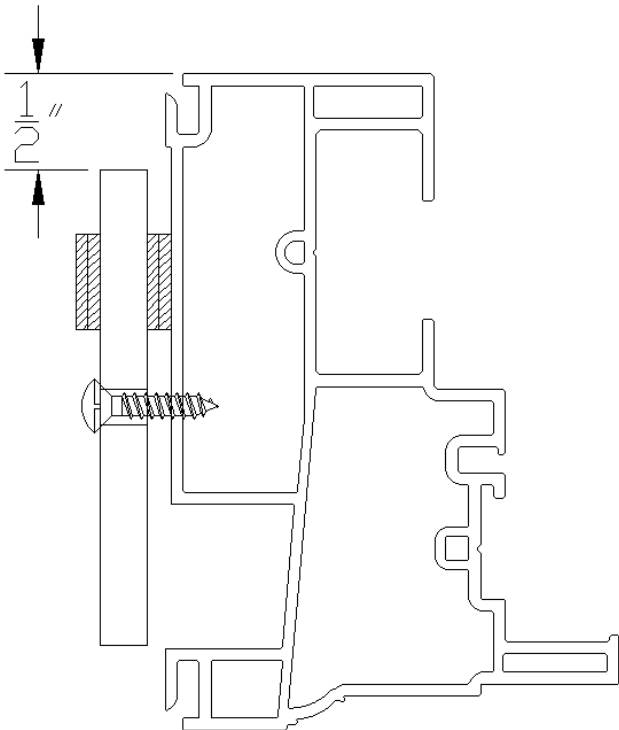
- 2) Clean out excess weld material at all 4 corners to be mullled using a chisel and a rubber mallet.



- 3) *If mull length is < 59.5" skip step 3.* If mull length is  $\geq 59.5"$ , install steel reinforcement.
- a.) For ease of application apply 2 layers of 2-sided tape on each side of the reinforcement making sure to remove the backing between the tape layers. **The tape is not required; however it does make the installation of the reinforcement easier.**

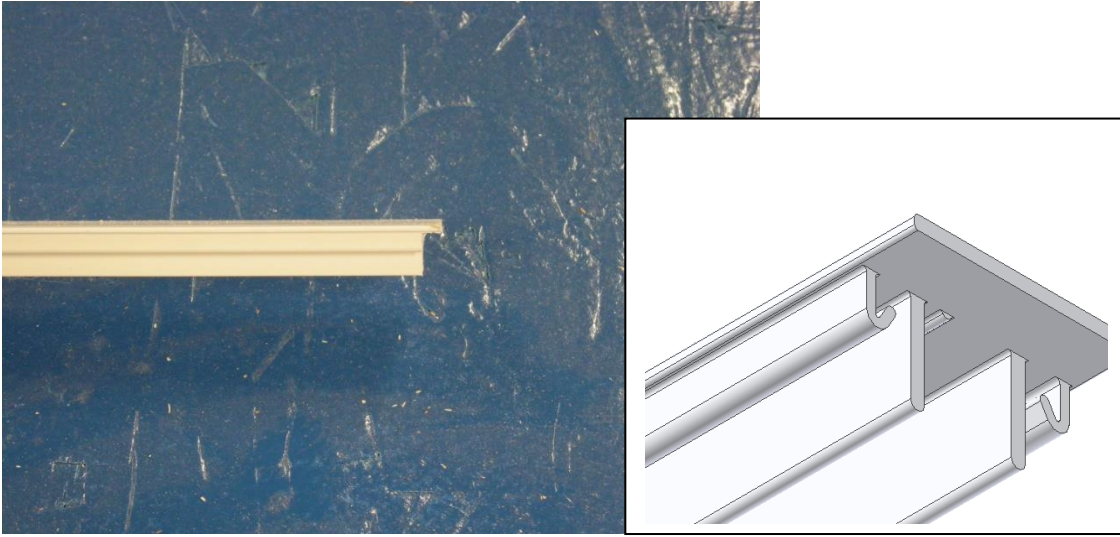


- b.) Remove the tape backing on one side of the reinforcement. Place the reinforcement on the frame so that it is approximately  $\frac{1}{2}"$  from the interior face. Using a screw driver apply #6 x  $\frac{3}{4}"$  screws through the predrilled holes in the reinforcement and into the frame. Remove the tape backing from the remaining side.



- 4) Cut the mull cover to correct length using a chop saw (Cut Length = Unit RO -  $\frac{1}{2}"$ ).

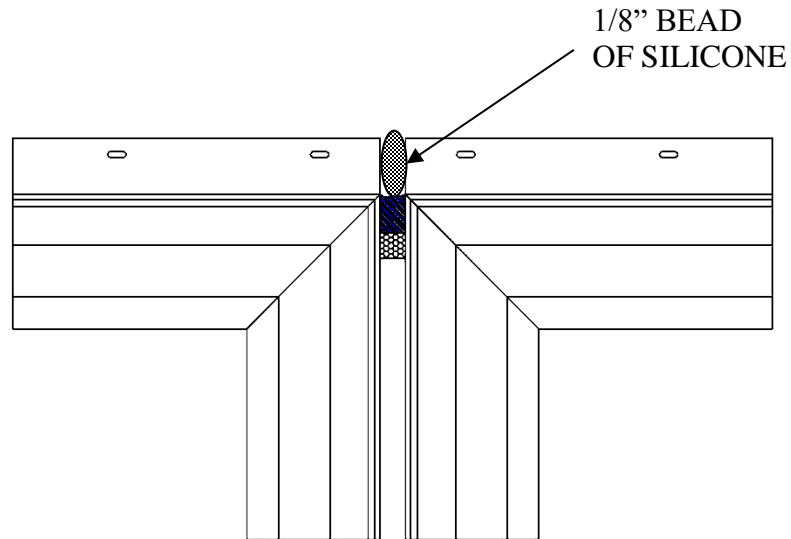
- 5) Using a utility knife, cut the legs off of each end of mull cover as shown below to provide clearance over accessory groove and any excess weld material.



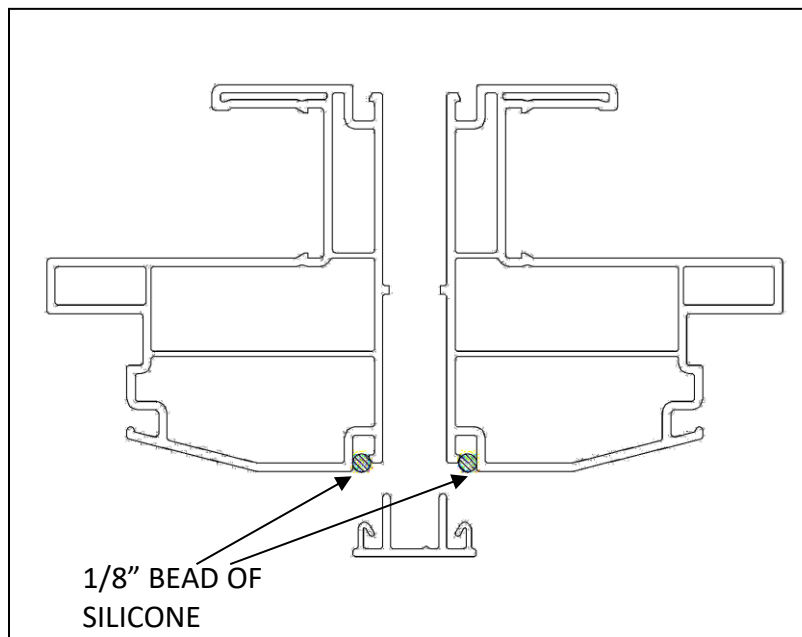
- 6) Place next to other unit(s) making sure to leave an appropriate gap for the mull. Place a long piece of 4" vinyl tape on each end of the mull. Make sure tape is long enough to completely cover the gap between units. Leave tape as shown below.



- 7) Using a caulk gun apply a 1/8" bead of silicone to the tape in the gap between the nail fins (see below). Fold the tape over the nail fin and make sure there are no bubbles. Press down on the gap between the nail fins to disperse silicone and minimize height of silicone addition. Remove extra tape on interior and exterior using a utility knife.



- 8) Apply a 1/8" bead of silicone to each unit in the exterior frame accessory groove as shown below:



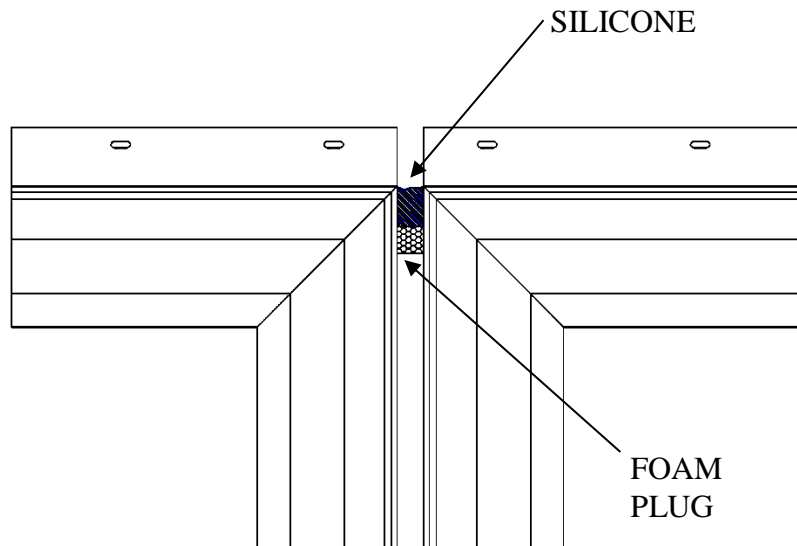
9) Drive in the mull cover using a rubber mallet as shown below.



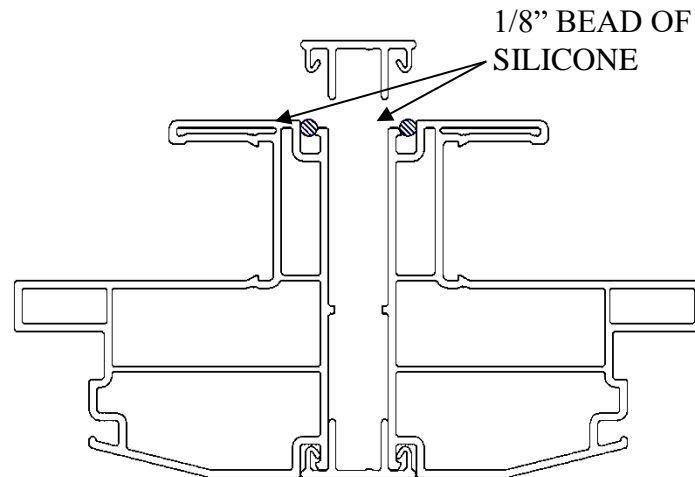
10) Make sure the mull cover extends the full length of the unit.

11) Flip the unit 180 degrees so you have access to the interior and the mull cavity.

12) Fill the ends of each mull cavity with 1" of silicone. Insert foam end plug and press into the previously applied silicone as shown below. **Important: No voids or pinholes allowed!**  
a. For 3 & 4-way mulls see special procedures for mullion intersections on Page 10.

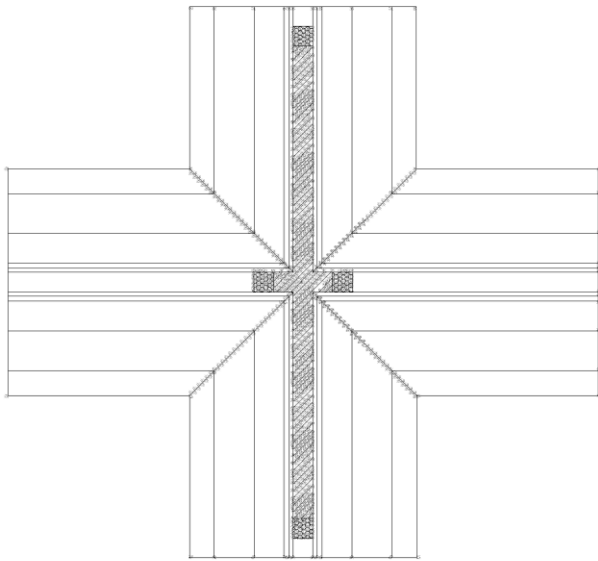


- 13) Apply a 1/8" bead of silicone to interior frame accessory groove.

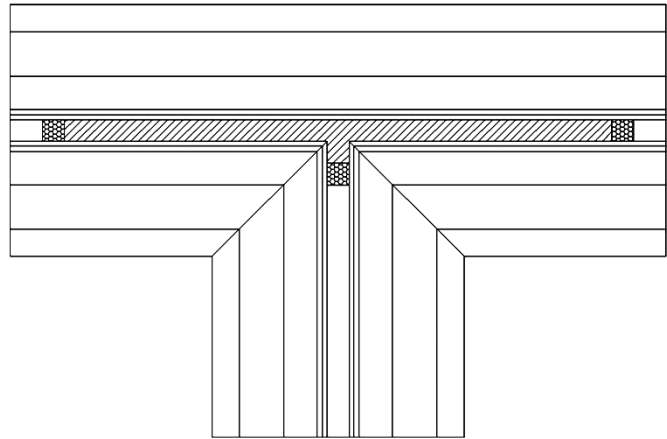


- 14) Apply interior mull cover that has been notched and cut to proper length.
- 15) Cut the drip cap to correct length using a chop saw (Cut length = RO width - 1/2") and apply to top of the configuration.
- 16) Field Mull is complete! If you have any questions, please contact Windsor Windows & Doors directly at 1-800-218-6186. Or you can submit a form online at <https://www.windsorwindows.com/contact-us> and one of our window specialists will promptly answer your question.

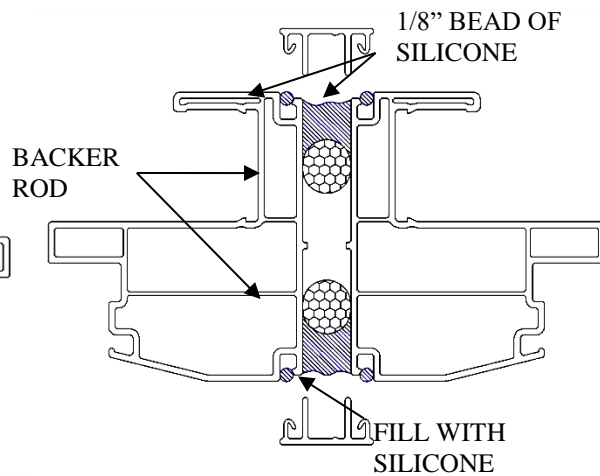
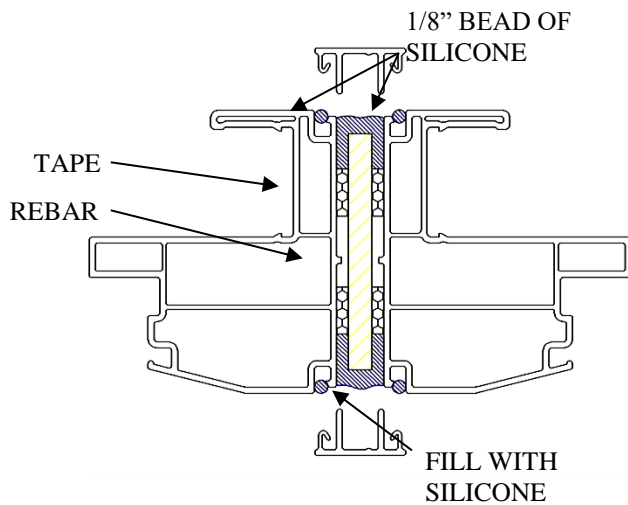
## Special Procedure for Mullion Intersections



4 – Way Mull



3 – Way Mull



- A. Clean the intersecting corners of the mullion to allow the mullion cover to seat into the accessory groove.
- B. Fill interior mullion cavities 6" on either side of the mullion intersection as shown above.